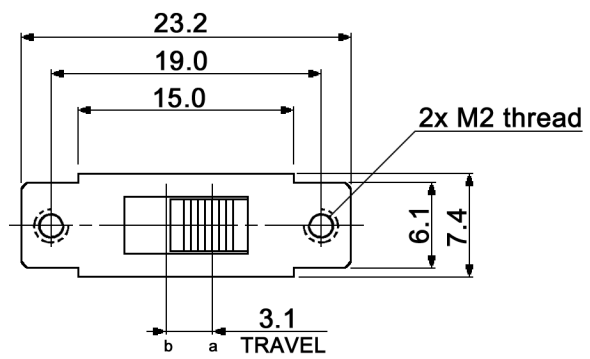
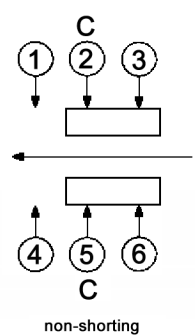
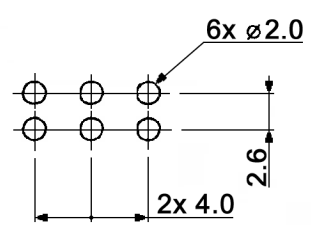


**CIRCUIT DIAGRAM**  
C: COMMON PIN  
BOTTOM VIEW



**HOLE LAYOUT**  $\pm 0.05$



**Specifications:**

- Contact rating: 0.35A, 30V DC
- Contact resistance: 20mOhm max.
- Insulation resistance: 100MOhm min. at 500V DC for 1 minute
- Dielectric strength: 500V AC (50/60Hz, 2mA) for 1 minute
- Operating temperature: -40°C to +85°C
- Mechanical life: 10 000 cycles
- Operating force: 250 +/-100gf
- Soldering conditions: iron-method: 350 +/-10°C, 3 +/-1sec.
- Material: Terminal: brass strip, silver plated  
Frame: SPCC, nickel plated  
Base: phenolic resin, natural  
Contact plate: brass strip, silver plated  
Spring: SWC, temper  
Slider: POM, black

Compliance: RohS II (2011/65/EU)

Tolerances: up to 10: ±0.20mm above 10-50: ±0.30mm	Date	Name
	03/18	dr
Modifications	Date	Name

# MFS 201 N-SW

## 30 40 44

**knitter-switch**